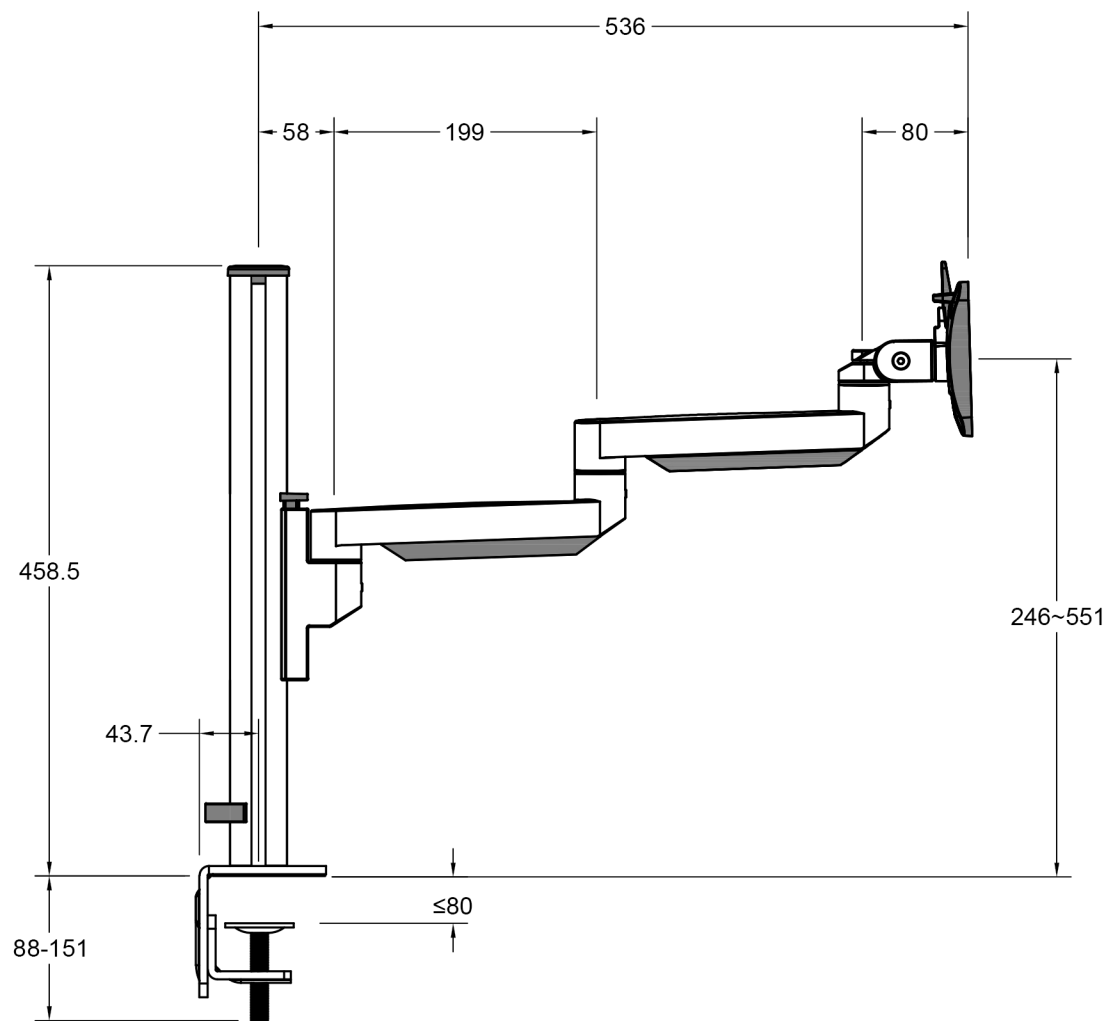
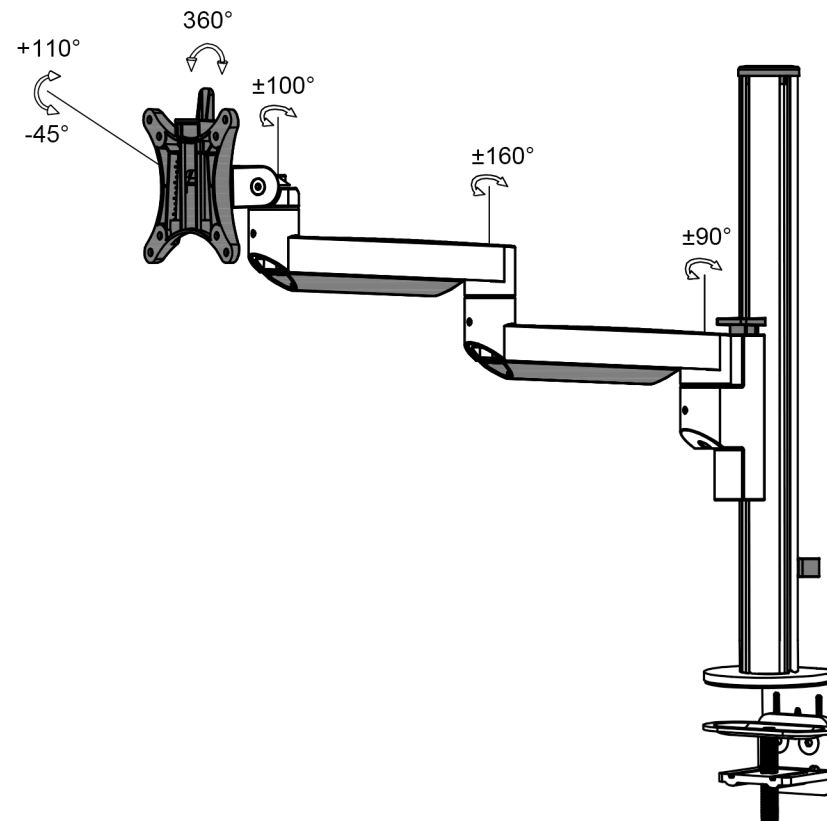


mm



Product Dimensions



Product adjustment angle