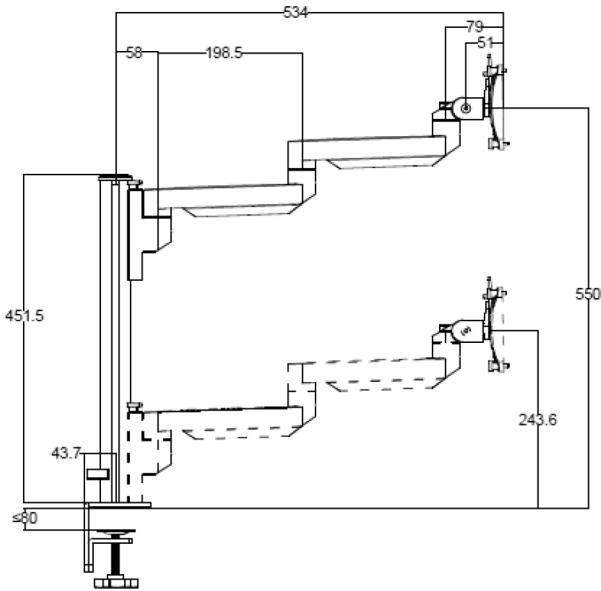
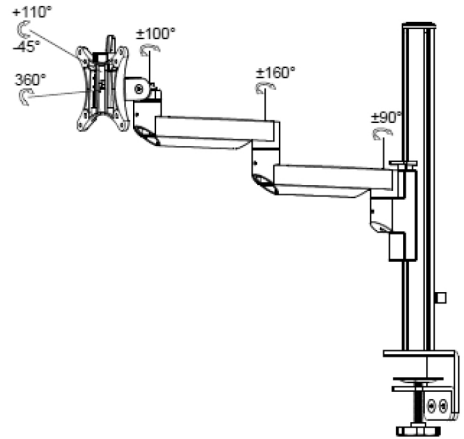


## Technical Specification Sheet



Product Dimensions



Product adjustment angle

Dimensions are in mm.

### Key features

- Free combination and easy installation. All components are universal  
It supports 1 – 4 monitors with same parts
- Supports 0 – 18 kg load range for mounting different monitors.
- Easy UP&DOWN system. Unique spring device makes the arms move up and down easily
- Quick release head
- 180°/90° stops to prevent clash with the walls or furniture
- Cable management keeps the cables tidily

Mounted Load Range: 0kg – 18 kg

Horizontal Range: 534 mm

Vertical motion Range: 306 mm

Tilt Range: -45° / +110°

Pivot Range: 360°

VESA : 75\*75 / 100\*100

Total product recyclable: 100%