

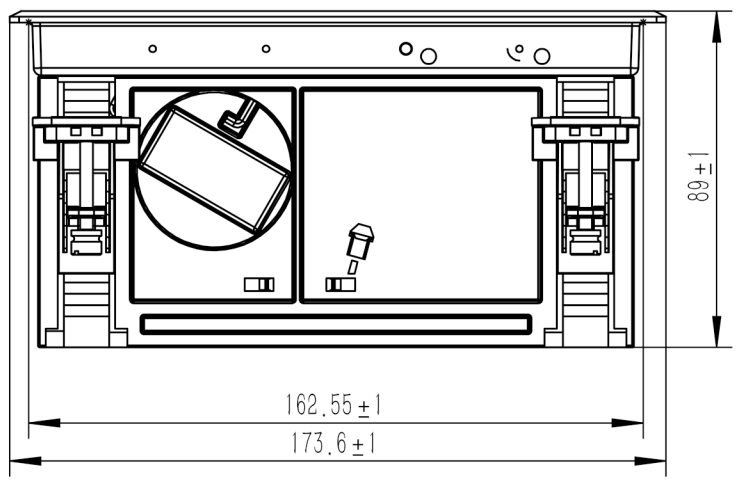
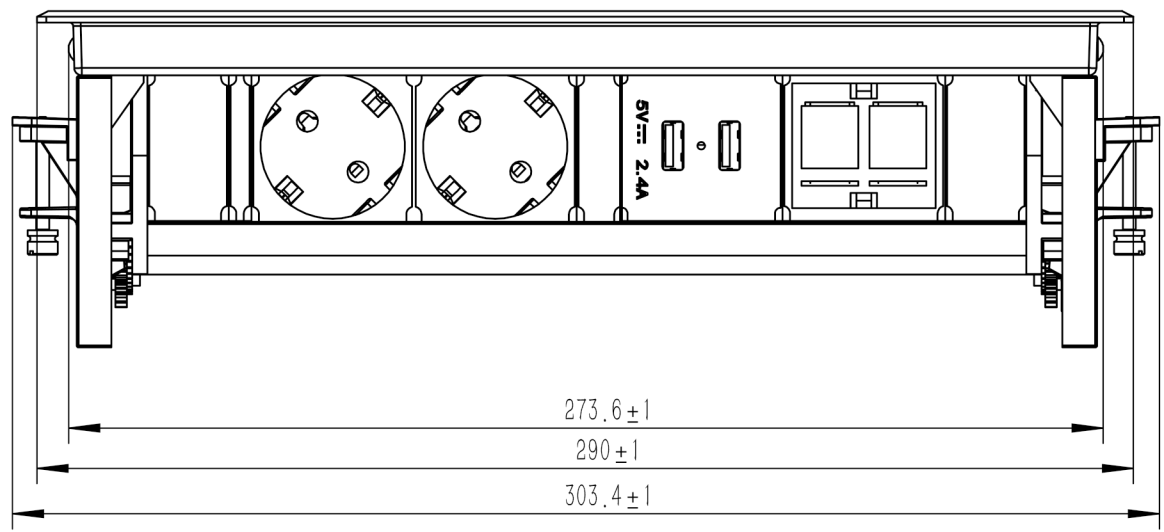
F E D C B A

1

2

3

4



1

2

3

4

F E D C B A 1/2 A