

Assembly Guide




Before starting assembly

Please spend some times to read this assembling and follow the procedures step by step assembly guide.

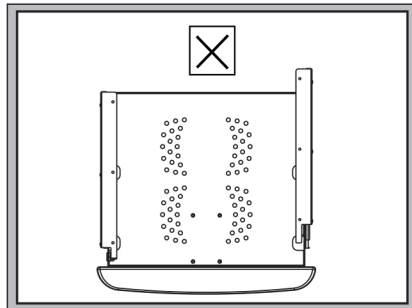
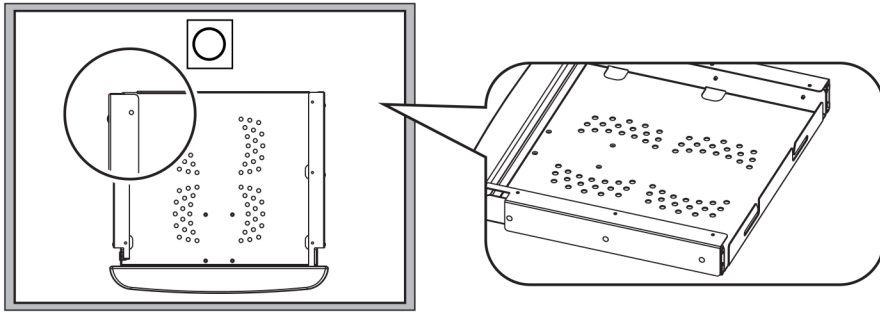
Some panels are viewed differently from the exploded drawing below. This is for extra clarity.

Do not discard any of the packaging until you have checked all the parts and the package of fittings. If you are missing any of the parts, please contact the store from which you purchased your products. The staff will do their best to help you.

Check-list

01	Screw		X6	03	Key		X1
02	Washer		X6				

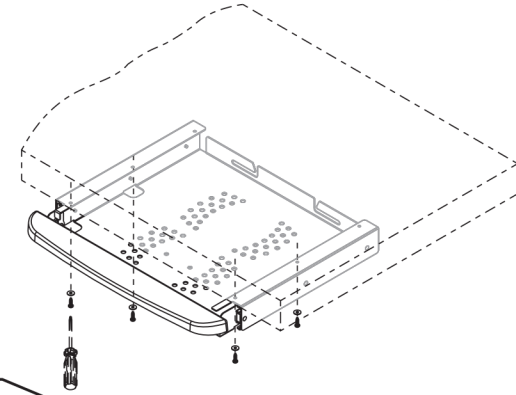
Note To push forward the runners to the bottom then check if the runner has parallel in order to fix screws conveniently.



Assembly Guide

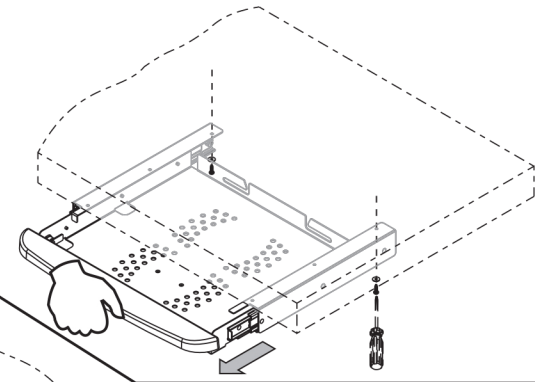
Step 1

Fit the Notebook holder up under your work surface in a comfortable working position with the runners in the closed position. Use a bradawl to mark hole positions and screw in with screw and washer.



Step 2

Please to pull the drawing out then fix the last two screws.



Step 3

