

Ecosheet

R-Go Caparo 4 D2 Dual Monitor arm



WE CARE FOR OUR ENVIRONMENT

We believe we have a responsibility to be good stewards of the earth we live on. This implies that we take in great consideration how our products are made and what materials are used.

The R-Go Caparo 4 D2 Dual is designed according to the principles of circularity, it can easily be repaired, re-used and recycled. Designed to last long!



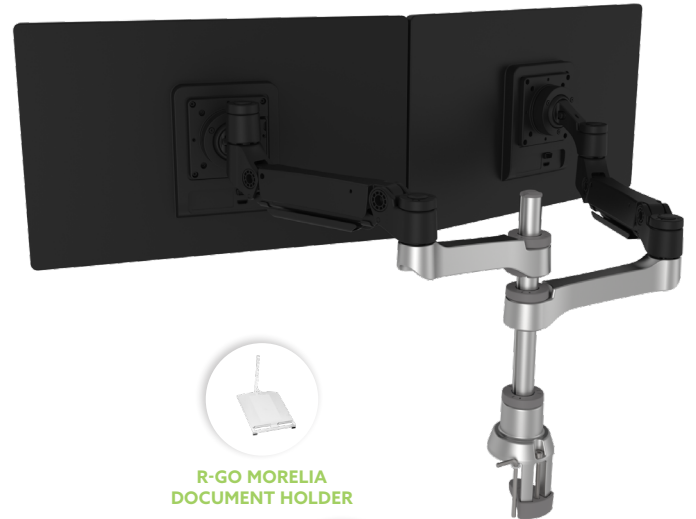
ONE ERGONOMIC MODULAR MONITOR ARM

- Maximum modularity
- Minimum weight
- Premium materials, finish, quality
- Modules can be easily replaced to repair, added to expand or to be upgraded
- Ultimate configurability



LOW CARBON FOOTPRINT

The production of one monitor arm uses only 17.2 kg CO₂, which equals just 94.6 km driving your car!



R-GO MORELIA
DOCUMENT HOLDER

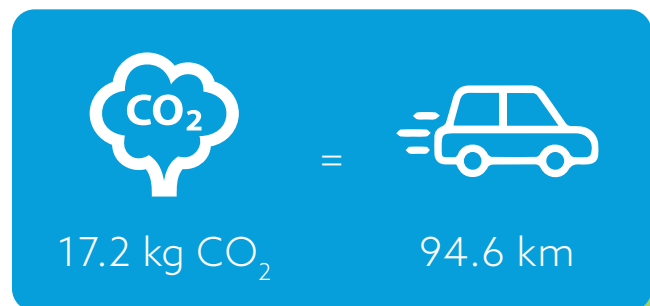


R-GO SMARTBAR



R-GO MORELIA
LAPTOP HOLDER

Build
your own
setup



Ecosheet

R-Go Caparo 4 D2 Dual Monitor arm



	Steel	Aluminium	Plastic	Totals
Weight (grams)	752	2732	1246	4730
Percentage (%)	16	58	26	100
excl. recycling				
GWP (kg CO2-equivalent)	1,6	18,0	7,0	26,5
incl. recycling				
GWP (kg CO2-equivalent)				17,2

*GWP = Global Warming Potential



CERTIFIED 100% CIRCULAR

- Re-use of modules (life time take back guarantee)
- Certified 100% recyclable
- Aluminium recycling consumes merely 5% of the energy
- required to produce aluminium
- 75% of Dutch aluminium is recycled raw material
- Easy separation of different materials by using smart-fits
- 100% carton packaging material
- 5 years warranty

