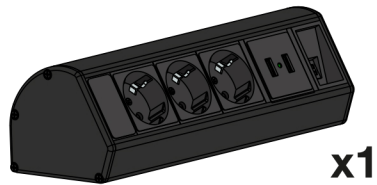
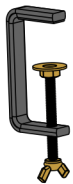


Axessline Desk

CONTENT:



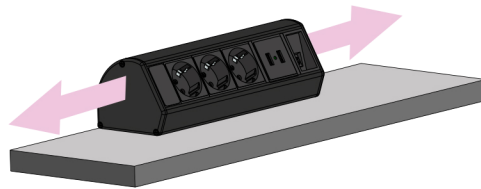
x1



x2

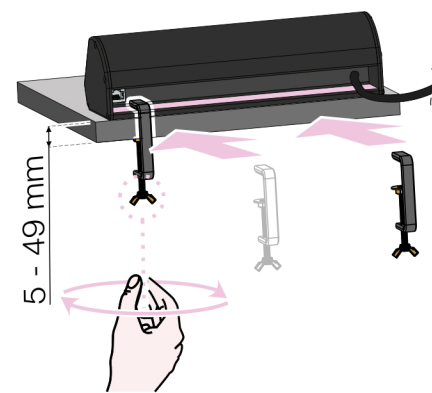
- 1** POSITION TO EDGE
Position the Axessline desk next to the edge of the table.

Ascertain that the power cable length is within reach of a power socket as well as the ethernet cables that will be plugged into the backside of the Axessline desk.

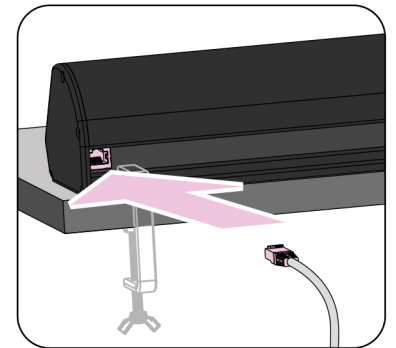


- 2** FASTEN CLAMP
Position the clamp between the track and table - tighten using your fingers.

Turn clockwise to tighten and ascertain that the product does not move if pushed or pulled.



- 3** CONNECT ETHERNET CABLES
Connect the ethernet cable to the backside of the unit. Make sure that the cable are fully inserted and connect to both ends (device to Axessline Desk).



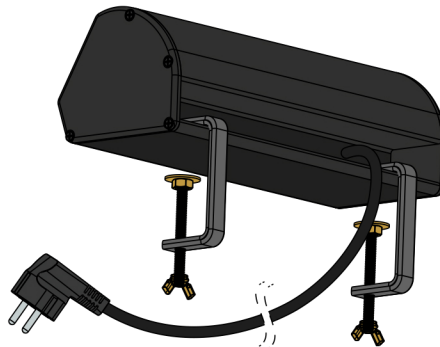
Note! Ethernet cable is not included.

- 2 **USB-A Charger ports (5V, 2.1A)**

- 1 **Data ports (RJ45, CAT6)**

- 3 **Power sockets (Type F)**

- 1 **Type F plug 1500 mm**



- 4** PLUG IT IN
Plug the power plug to the intended power socket and start using.

