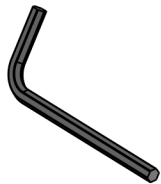


Axessline Desk

CONTENT:



x1



x1

1

LOOSEN CLAMP

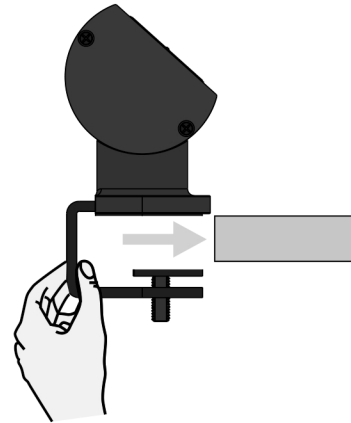
Use 4 mm Allen key to loosen the hexagon cup point screw. Turn counter-clockwise to loosen.



2

POSITION TO EDGE OF TABLE

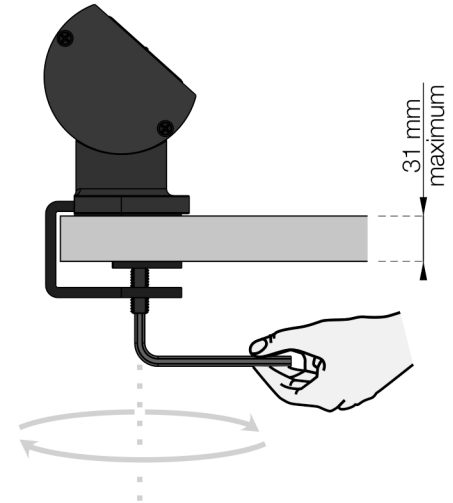
Position the clamp so that the edge of the table top touches the edge of the clamp.



3

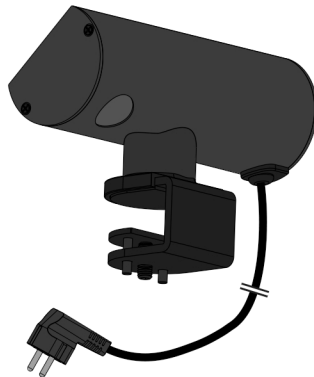
FASTEN CLAMP

Use 4 mm Allen key to tighten the hexagon cup point screw. Turn clockwise to tighten and ascertain that the product does not move if pushed or pulled.



- 1 **Feed-through**
(Ø10 mm)

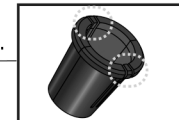
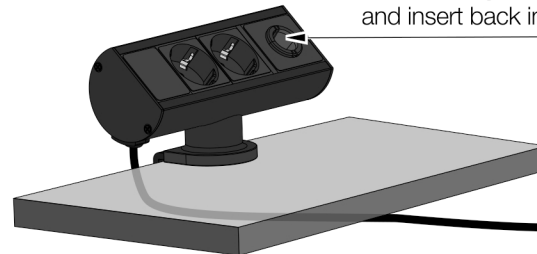
- 2 **Power sockets**
(Type F)



4

PLUG IT IN

Plug the power chord into the intended power socket, and then, the remaining cable(s) through the feed-through hole. Remove feed-through by pinching both flaps, (see illustration below), and then pulling out. Once out, sandwich the cable between the feed-through brackets. Then, close and insert back into the power outlet.



Feed-through



Schuko plug