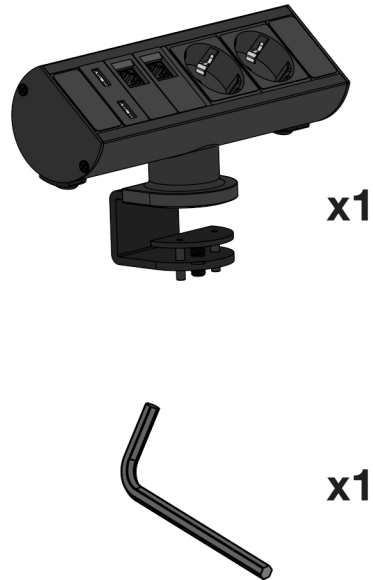


Axessline Desk

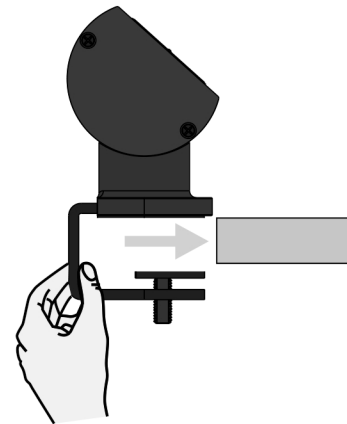
CONTENT:



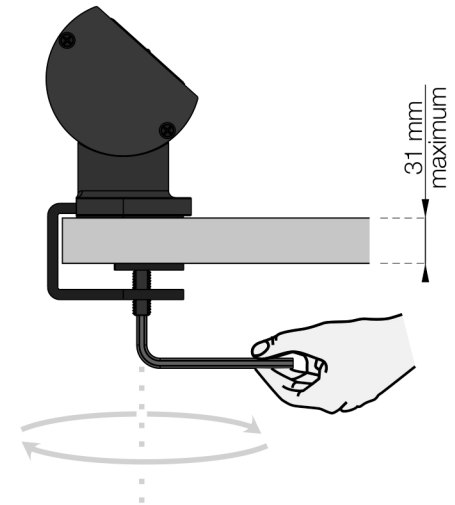
- 1** LOOSEN CLAMP
Use 4 mm Allen key to loosen the hexagon cup point screw. Turn counter-clockwise to loosen.



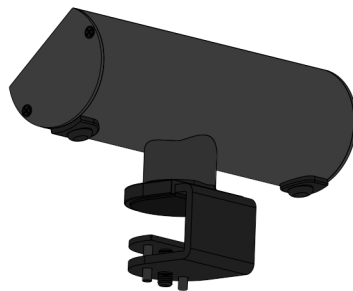
- 2** POSITION TO EDGE OF TABLE
Position the clamp so that the edge of the table top touches the edge of the clamp.



- 3** FASTEN CLAMP
Use 4 mm Allen key to tighten the hexagon cup point screw. Turn clockwise to tighten and ascertain that the product does not move if pushed or pulled.



- 2 **USB ports (HUB)**
(Female, USB A)
- 2 **Data ports**
(RJ45, CAT6)
- 2 **Power sockets**
(Type F)



- 4** PLUG IT IN
Plug the power chord into the intended power socket, and then, the remaining cables to their corresponding units/ports to finalize the installation.

