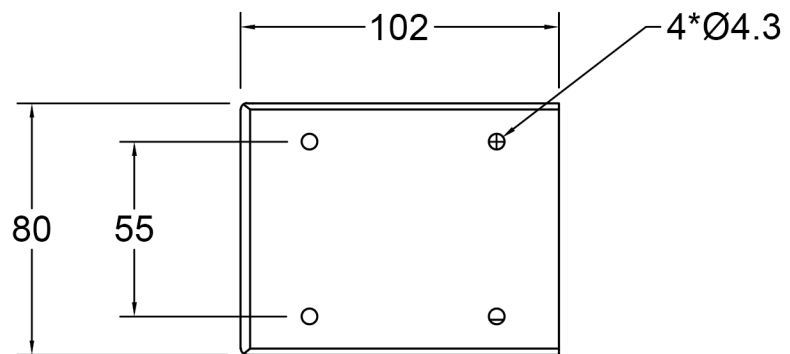


mm



Product Dimensions

