



## ZAP

A stable, diverse and very affordable mechanical spring arm with ideal ergonomic features for office use. Weight span adjusted by a mechanical spring. Black cable holder with fishbone zip included. Three mounting options are included. ZAP can also be mounted on Toolbar. See page 43.



**Tip!**  
Also suited for through desk mount (standard 80 mm).

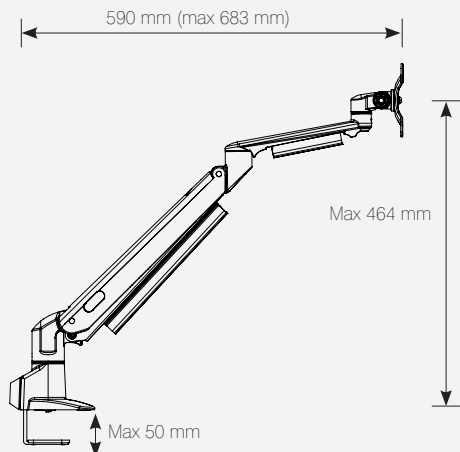
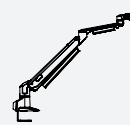
## PRODUCT INFORMATION

Art.No	Size/Description <i>(all dimensions in mm)</i>	Colour
--------	---	--------

### ZAP Monitor arm

Monitor arm that is weight span adjusted by a mechanical spring. Adjustable in all positions. Rotates 360°. Tilttable 185°. VESA 75 and 100.

615525	Weight span 1,5-7 kg	silver
615525-1	Weight span 1,5-7 kg	white
615525-2	Weight span 1,5-7 kg	black



### Mounting options included

Desk clamp, through desk, grommet hole 80 mm (not Twin). For mount on toolbar, see page 43.

### Reach

Extension from 90 to 683 mm, vertical range 464 mm. Rotation 360 degrees. Tilt 180 degrees.

### VESA Monitor mount

VESA 75x100 is included.

### Product weight

Gross weight 4,2 kg, net weight 3,5 kg.

### ZAP Monitor arm Twin

Monitor arm that is weight span adjusted by a mechanical spring. Adjustable in all positions. Rotates 360°. Tilttable 185°. VESA 75 and 100. Includes 2 arms and 1 pc of twin clamp. Please note, Twin arm is not suitable for a grommet hole 80 mm.



618525	Weight span 1,5-7 kg/arm	silver
618525-1	Weight span 1,5-7 kg/arm	white
618525-2	Weight span 1,5-7 kg/arm	black

