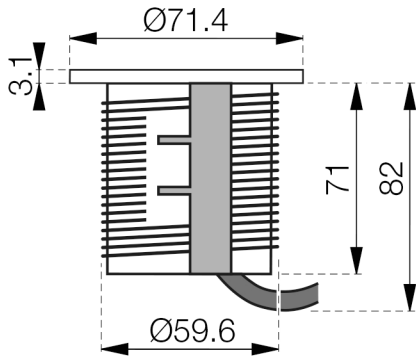
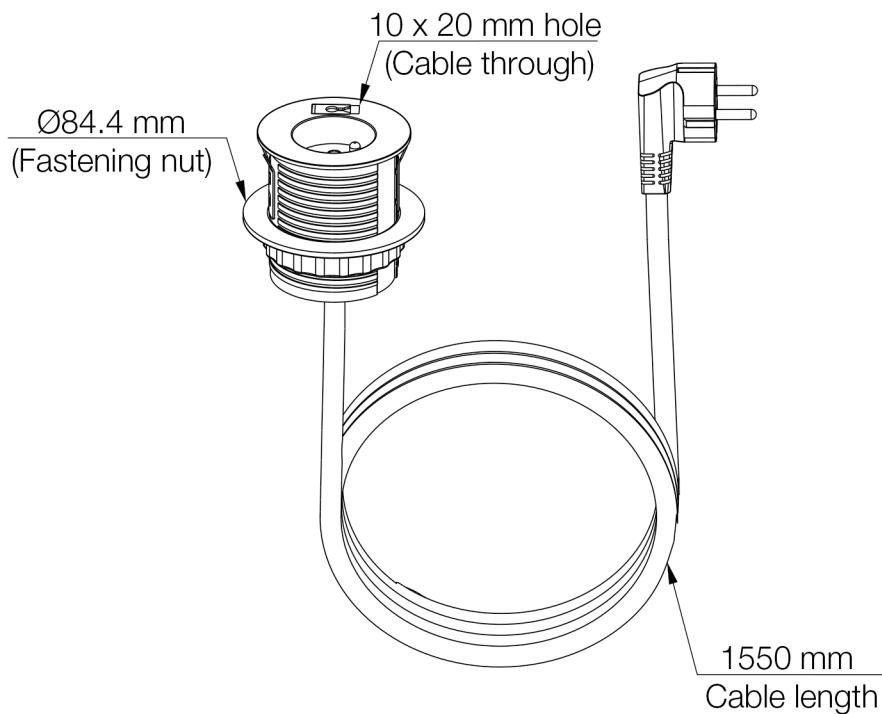


# Powerdot MIDI - 1 Power, 1 Feed-through, French version

## Front View (Grommet)



## Oriented view (Grommet, nut & cable)



Maximum table thickness:  
Recommended hole cut:

52 mm  
 $\text{Ø}60$  mm