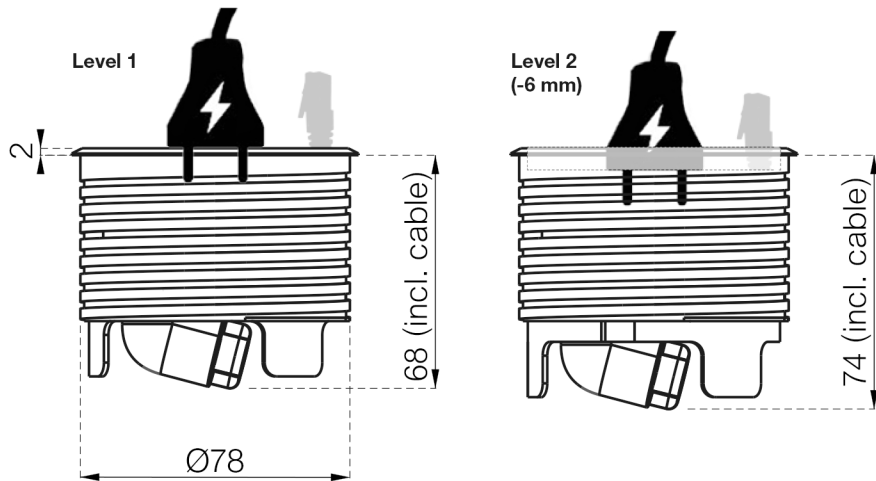
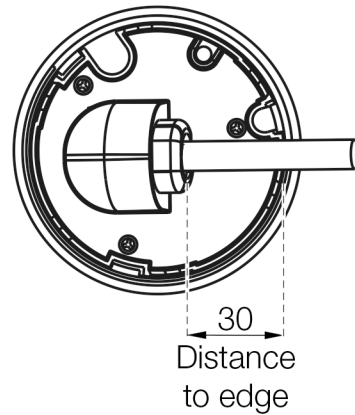


# Powerdot - 1 Power, 2x USB-chargers (5V, 2.4A), 2 Feed throughs (Ø7, Ø9.5 mm), French version

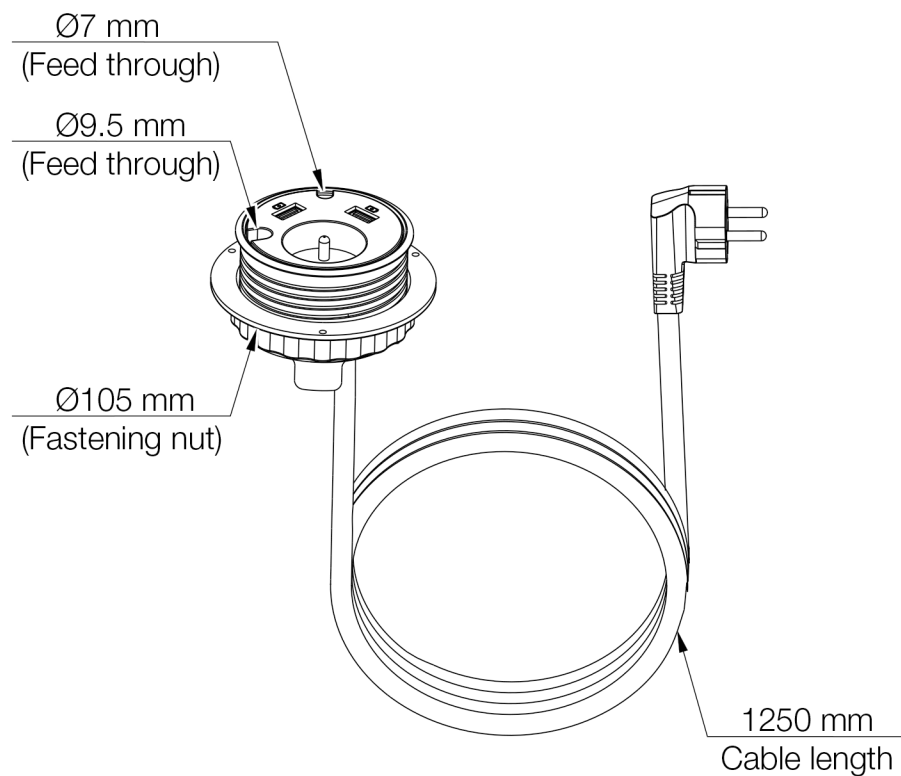
## Front view (Grommet)



## Bottom view



## Oriented view (Grommet, nut & cable)



Maximum table thickness:  
Recommended hole cut:

30 mm  
Ø79 mm