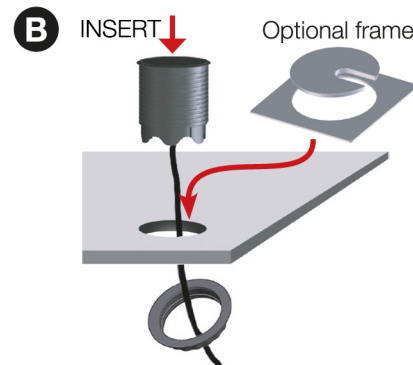
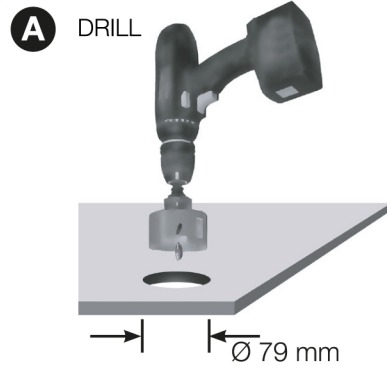
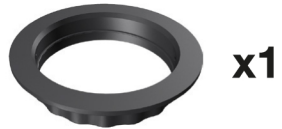
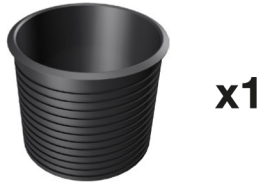


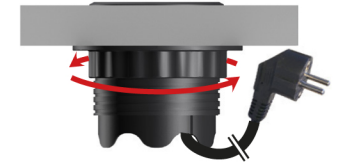
Powerdot

ERGO-SL014

CONTENT:



C TURN CLOCKWISE & PLUG IN
Turn the plastic fastening nut as far up the thread as possible. Make sure that it has been thoroughly tightened. Lastly, plug the Schuko plug into the wall socket.



1 CONNECT
Connect plug to Powerdot.



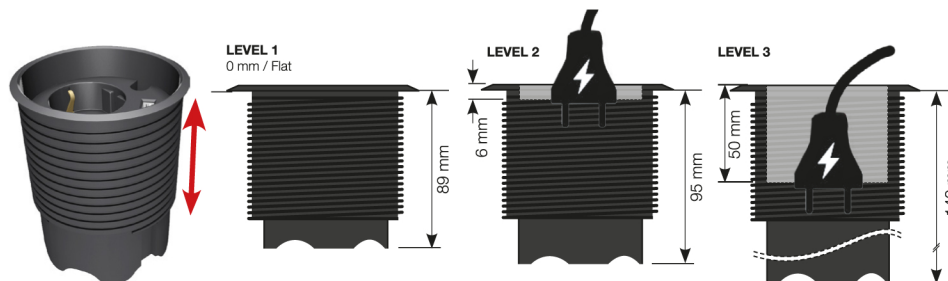
2 RELEASE
Rotate counter clockwise.



3 ADJUST
The inner part should now be loose. Adjust to desired level (see next step).



4 ADJUST LEVELS



5a LOCK Level 1 & 2
Rotate clockwise.



5b LOCK Level 3
Rotate.

